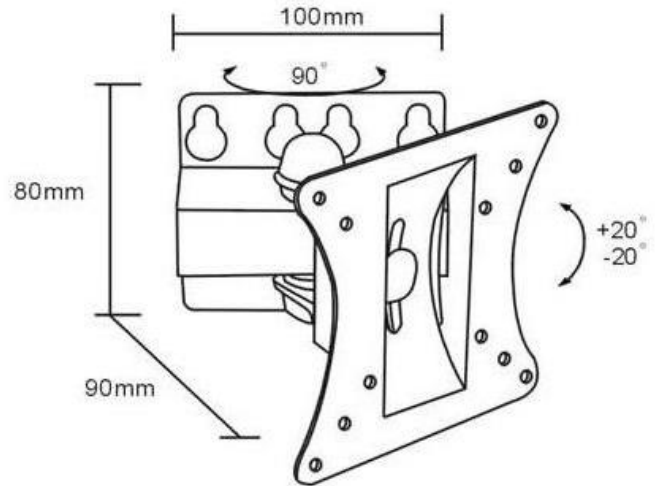


## MODEL FLWTS1

# SMALL TILT/ROTATE WALL MOUNT

## SPECIFICATIONS



## PRODUCT FEATURES

- **FAST AND SIMPLE INSTALLATION**
- **FOR DISPLAYS 75mm-100mm VESA**
- **WEIGHT TO 40Lbs**
- **LEFT/RIGHT ROTATION TO 180 degrees**
- **TILT TO 20 degrees UP/DOWN**
- **HARDWARE FOR WOOD/CONCRETE STRUCTURES**
- **RUGGED BLACK POWDER COAT FINISH**

CTN WGT 1.5Lbs  
CTN DIM 9"x6"x5"

## INCLUDED WITHIN KIT

WALLMOUNT WITH 75/100mm VESA PLATE
COMPLETE PANEL ATTACHMENT HARDWARE
INSTALLATION GUIDE

## ARCHITECTURAL SPECIFICATIONS

The Flat Panel Wall Mount shall be FEC Model FLWTS1 and shall be installed at all locations as listed per plans. Assembly and install shall be done according to the Manufacturer's install guide.